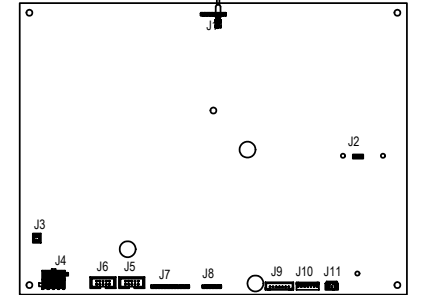
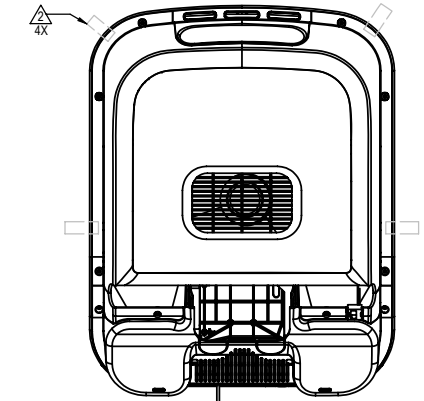
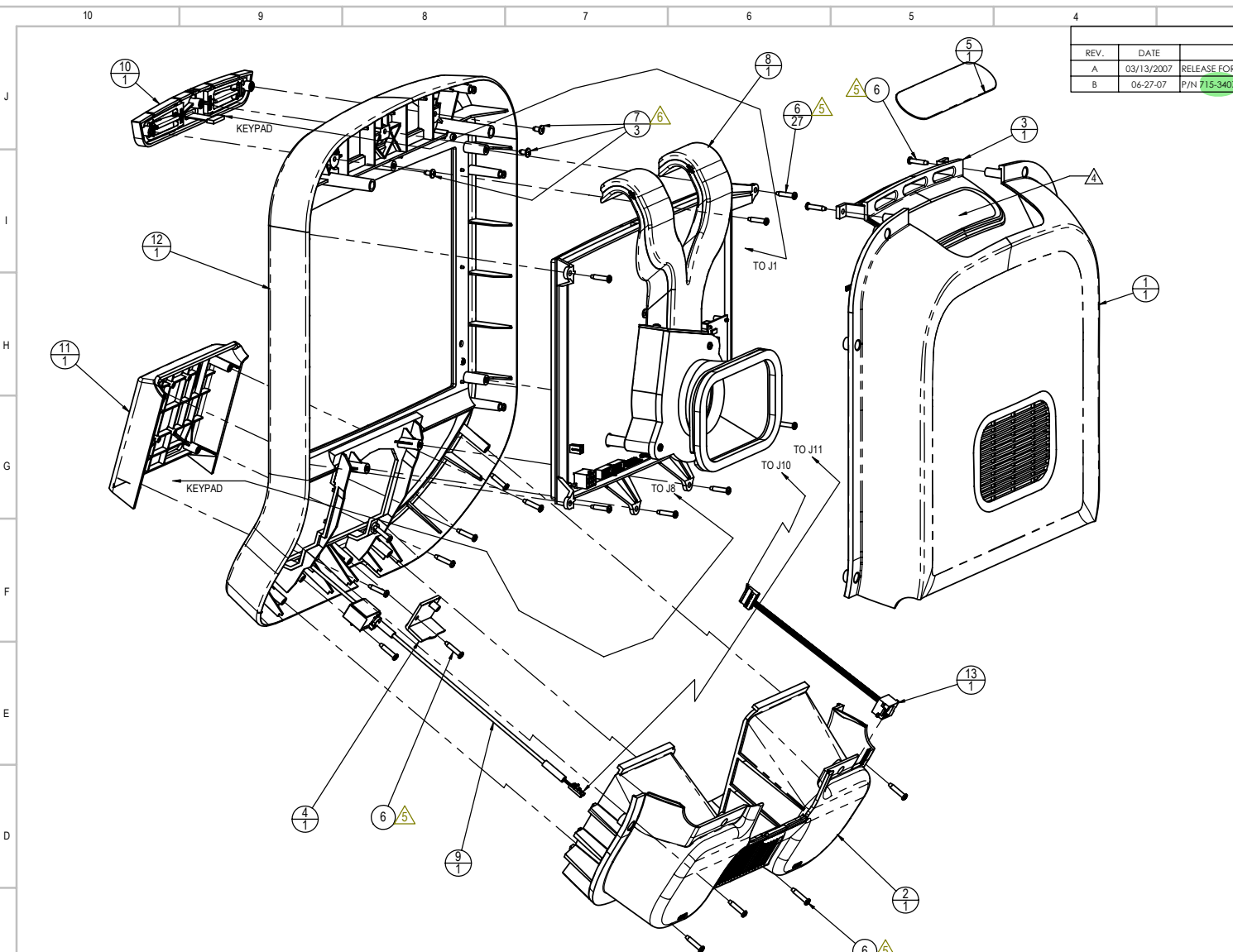


REVISIONS				
REV.	DATE	DESCRIPTION	ECCO	BY
A	03/13/2007	RELEASE FOR PRODUCTION	11554	RLH
B	06-27-07	P/N 715-3407 WAS 715-3518	11656	DMM



CONNECTOR DESIGNATIONS ON PCB
P/N 718-5096

ITEM NO.	PART NUMBER	DESCRIPTION	Default/QTY.
1	020-7053	HOUSING, BACK, TOP, BCS	1
2	020-7054	ASSY, COVER, BOTTOM, BCS, CUP HLDR	1
3	020-7058	HOUSING, TV CAP, BLANK, BCS	1
4	020-7094	HOUSING, HEAD PH, BLANK, BCS	1
5	050-2041	LOGO, STAR TRAC, 6.425X1.523	1
6	110-3402	SCREW, M4x0.7x19L, PHT, PH, CS, BZ	27
7	110-3404	SCREW, M4x0.7x8L, PHT, PH, CS, BO	3
8	711-3195	ASSY, DISPLAY LED, E-ST	1
9	715-3407	ASSY, CABLE, POL RF REC, PRO TR	1
10	715-3651	ASSY, AIR VENT, BCS	1
11	718-5096	ASSY, CC, BCS, BASIC	1
12	718-5101	HOUSING, FRONT W/COVER, BCS	1
13	721-0033	ASSY., CONN., FITLNNX/CARDIO	1

- NOTES:
- CONNECTIVITY:
 - a) 715-3651 WIRE TO J1 ON 718-5096 IN 721-1116.
 - b) 715-3651 RIBBON TO J7 ON 718-5096 IN 721-1116.
 - c) 715-5096 RIBBON TO J8 ON 718-5096 IN 721-1116.
 - e) 715-3407 WIRE TO J11 ON 718-5096 IN 721-1116.

- USE NON MARKING, LOW TACK, CLEAR TAPE TO HOLD BACK PLASTIC (P/N 020-7053 TO COMPLETE ASSEMBLY).
- QTY 8 OF P/N 110-3402 TO BE PROVIDED IN A POLYBAG.
- CLEAN AREA WITH ISOPROPYL ALCOHOL & LET DRY BEFORE APPLICATION OF STICKER.
- APPLY 13-17 lb-in. / 1.5-1.9 N-m TORQUE TO SCREWS (110-3402).
- APPLY 8-12 lb-in. / 0.9-1.4 N-m TORQUE TO SCREWS (110-3404).

DOCUMENT STATUS:
RELEASE

NOTICE OF PROPRIETARY INFORMATION
THIS DOCUMENT SHALL NOT BE REPRODUCED NOR SHALL THE INFORMATION CONTAINED HEREIN BE USED BY OR DISCLOSED TO OTHER EXCEPT AS EXPRESSLY AUTHORIZED BY UNISEN

MATERIAL
SEE BOM

FINISH
N/A

VENDOR: N/A

TOLERANCES UNLESS OTHERWISE SPECIFIED
X.XXX ± 0.10' (0.25MM) ANGLE ± 2°
X.XX ± 0.05' (0.125MM) FRACTIONS ± 1/32
X ± 0.05' (1.27MM) X ± 0.05' (0.125MM)

DATE: 12-15-06

U.O.M.

UNISEN, INC. DBA STAR TRAC 14410 Myford Road
Irvine CA 92606

PART NO: **711-3196** REV: **B**

TITLE: **ASSY, DISPLAY ELEC, LED, E-ST**

SCALE: 1:3 | SHEET 1 OF 1 | SHEET SIZE: C